

DRAGONFLY SURFACES INC.

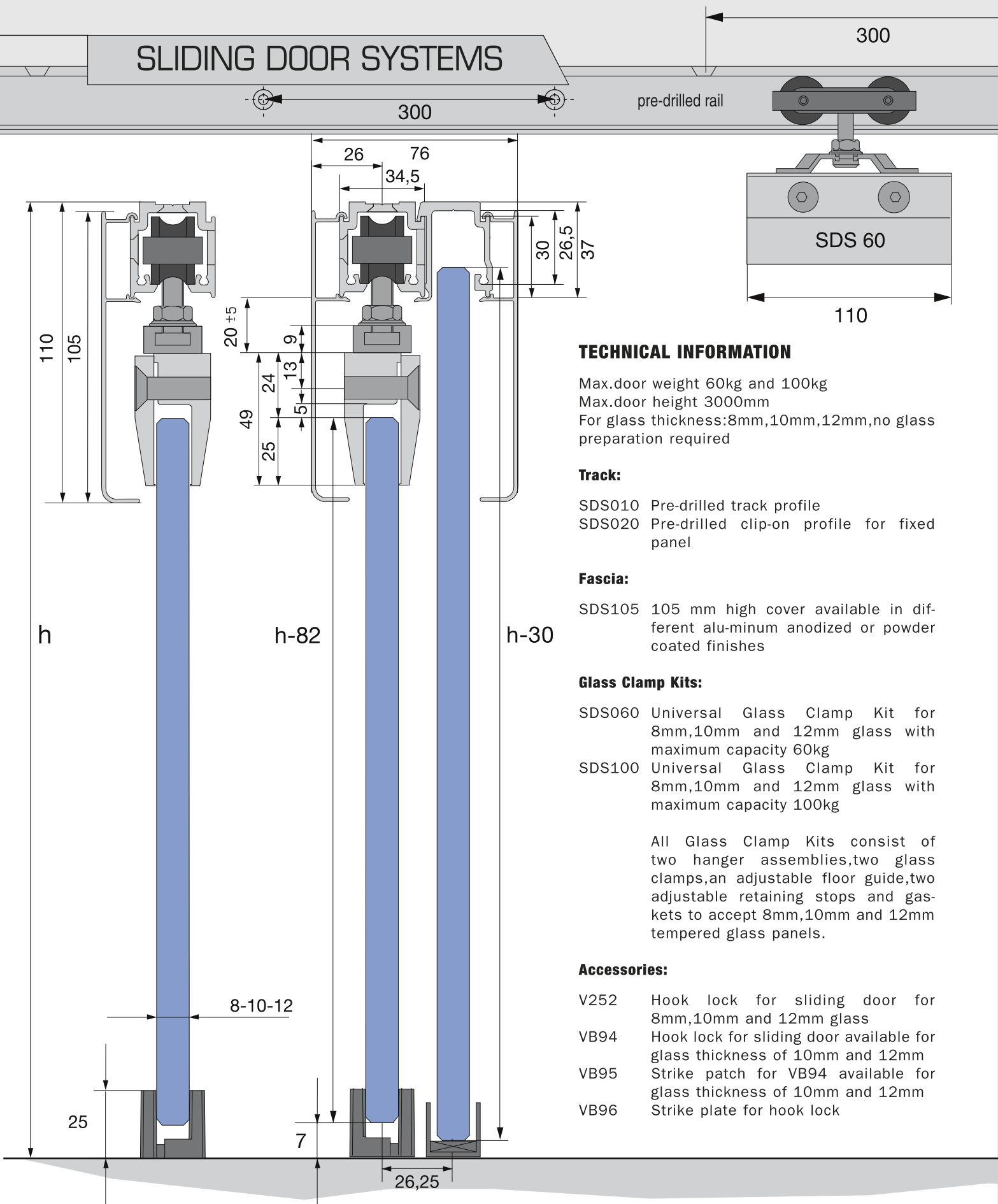
G l a s s H a r d w a r e



SLIDING DOOR SYSTEMS

SDS 60-100

SLIDING DOOR SYSTEMS



TECHNICAL INFORMATION

Max.door weight 60kg and 100kg
 Max.door height 3000mm
 For glass thickness:8mm,10mm,12mm,no glass preparation required

Track:

SDS010 Pre-drilled track profile
 SDS020 Pre-drilled clip-on profile for fixed panel

Fascia:

SDS105 105 mm high cover available in different alu-minum anodized or powder coated finishes

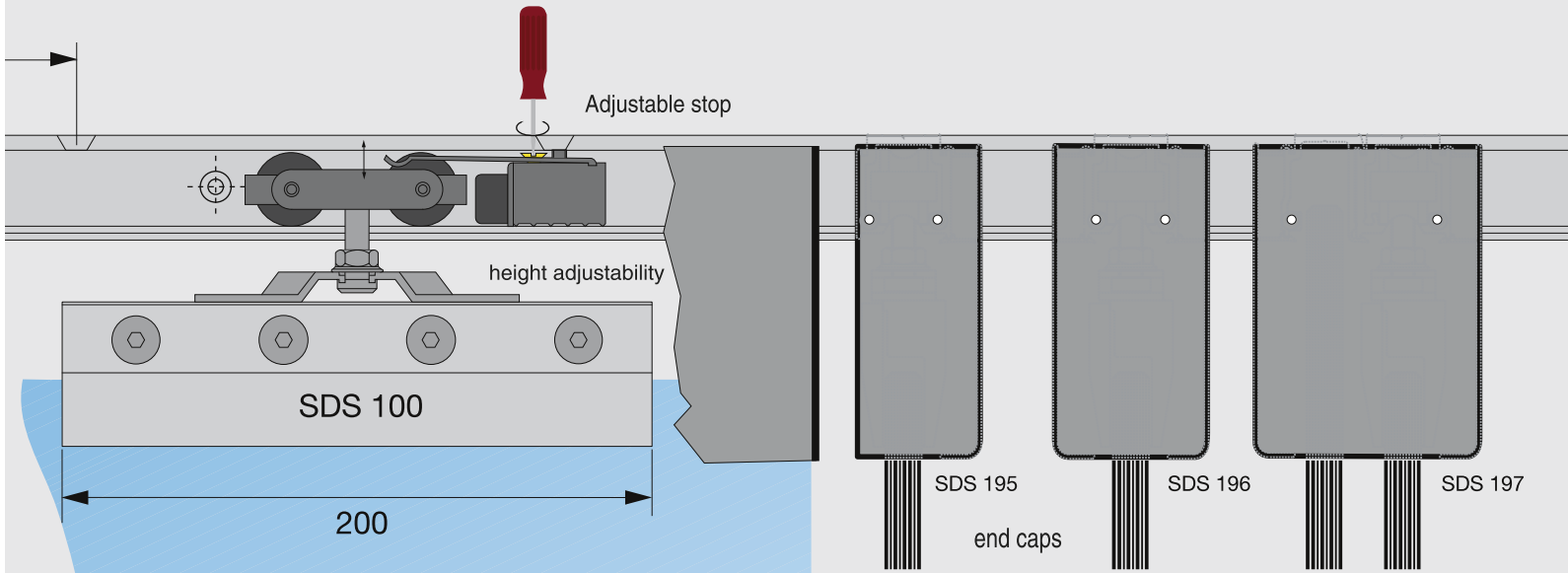
Glass Clamp Kits:

SDS060 Universal Glass Clamp Kit for 8mm,10mm and 12mm glass with maximum capacity 60kg
 SDS100 Universal Glass Clamp Kit for 8mm,10mm and 12mm glass with maximum capacity 100kg

All Glass Clamp Kits consist of two hanger assemblies,two glass clamps,an adjustable floor guide,two adjustable retaining stops and gas-kets to accept 8mm,10mm and 12mm tempered glass panels.

Accessories:

V252 Hook lock for sliding door for 8mm,10mm and 12mm glass
 VB94 Hook lock for sliding door available for glass thickness of 10mm and 12mm
 VB95 Strike patch for VB94 available for glass thickness of 10mm and 12mm
 VB96 Strike plate for hook lock



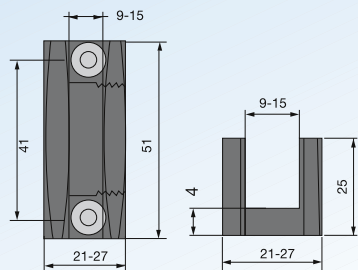
GENERAL DESCRIPTION

The SDS 60 and SDS 100 Sliding Door System offers a solution for light and middle weight applications up to 100kg as interior office doors and smaller glass partitions. It accommodates both sliding door and fixed panels.

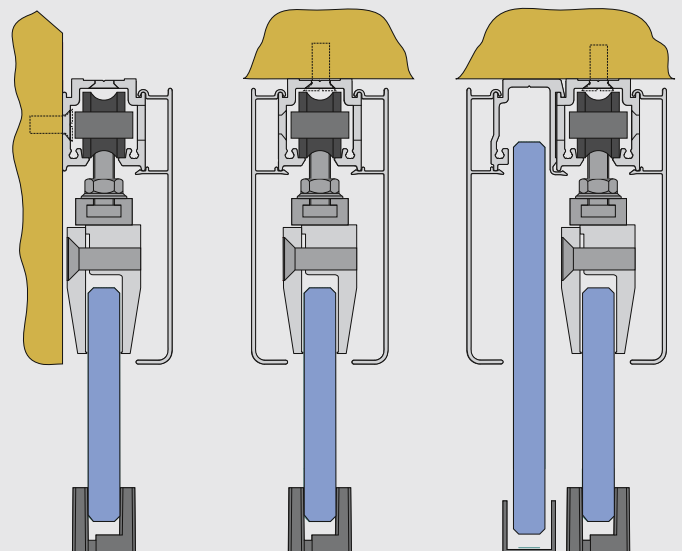
The distance between the sliding door and the fixed panel is reduced to a minimum. There is 10mm height adjustability, the track profile is pre-drilled for both wall and ceiling mounting, floor guide is adjustable for different glass thicknesses and the force of stoppers is adjustable as well. There are end caps available for every possible door type.

DOOR TYPES

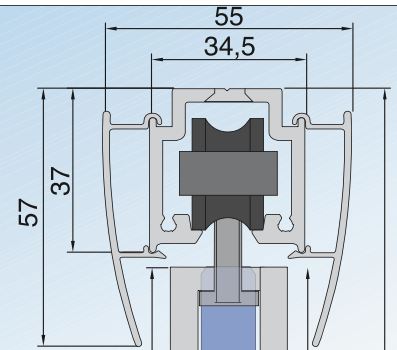
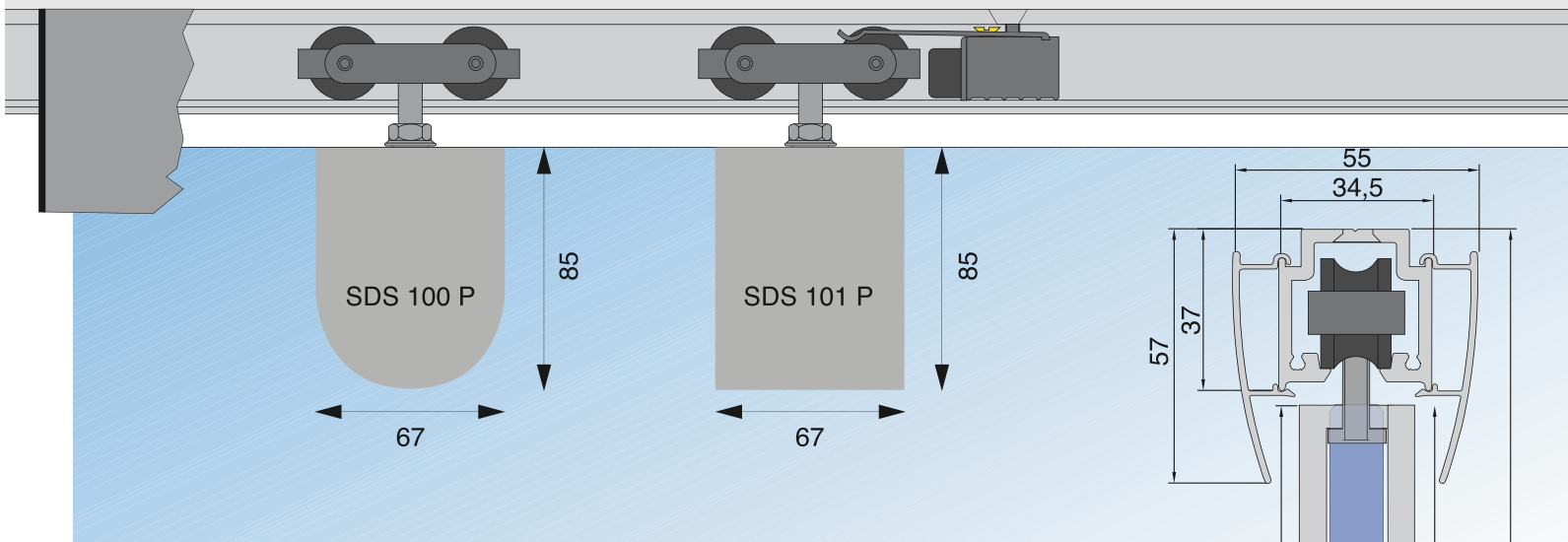
For tempered glass door panels of 8mm, 10mm and 12mm thickness. For fixed glass panels a pre-drilled clip-on profile (SDS020) is available, allowing the sliding door panel to pass alongside the fixed panel.



Adjustable floorguide



- When using glass clamps in the combination with protective coatings for glass surfaces such as Clear Shield ensure that the glass surfaces to be clamped are not treated with the protective coating.



Glass Clamp Kits:

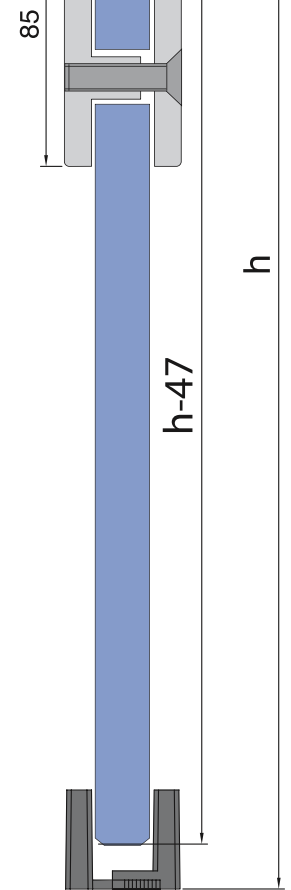
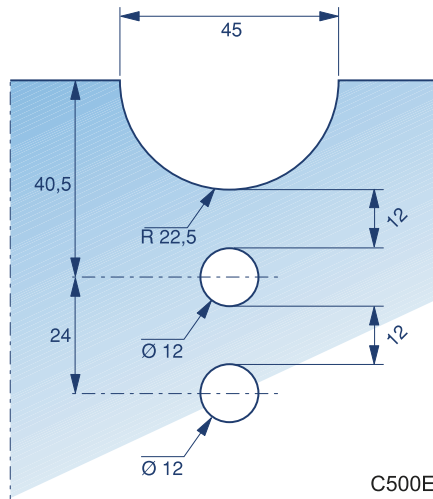
SDS100P Universal Glass Clamp Kit for 8mm,10mm and 12mm glass with maximum capacity 100kg, with round-shaped covers.

SDS101P Universal Glass Clamp Kit for 8mm,10mm and 12mm glass with maximum capacity 100kg, with rectangular shaped covers.

All Glass Clamp Kits consist of two hanger assemblies, two glass clamps, an adjustable floor guide, two adjustable retaining stops and gaskets to accept 8mm,10mm and 12mm tempered glass panels.

Covers available in different aluminum anodized or powder coated finishes

Glass preparation:



For more information on this product, or to order, please contact:

Dragonfly Surfaces Inc.

Tel: +1 (604) 628-4557

Fax: +1 (604) 628-4558

sales@dragonflysurfaces.com

www.dragonflysurfaces.com